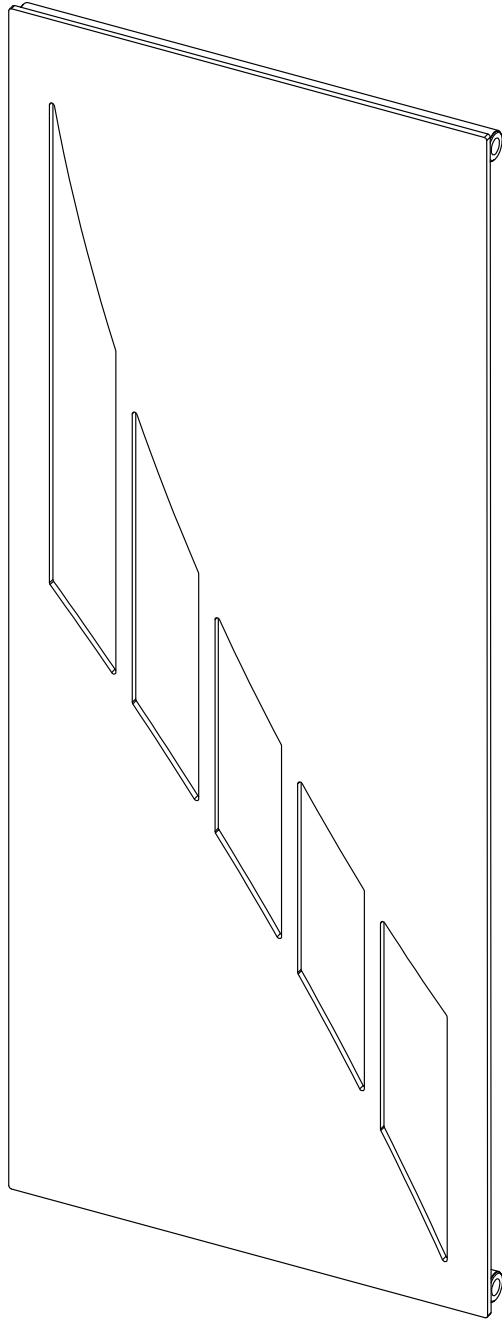
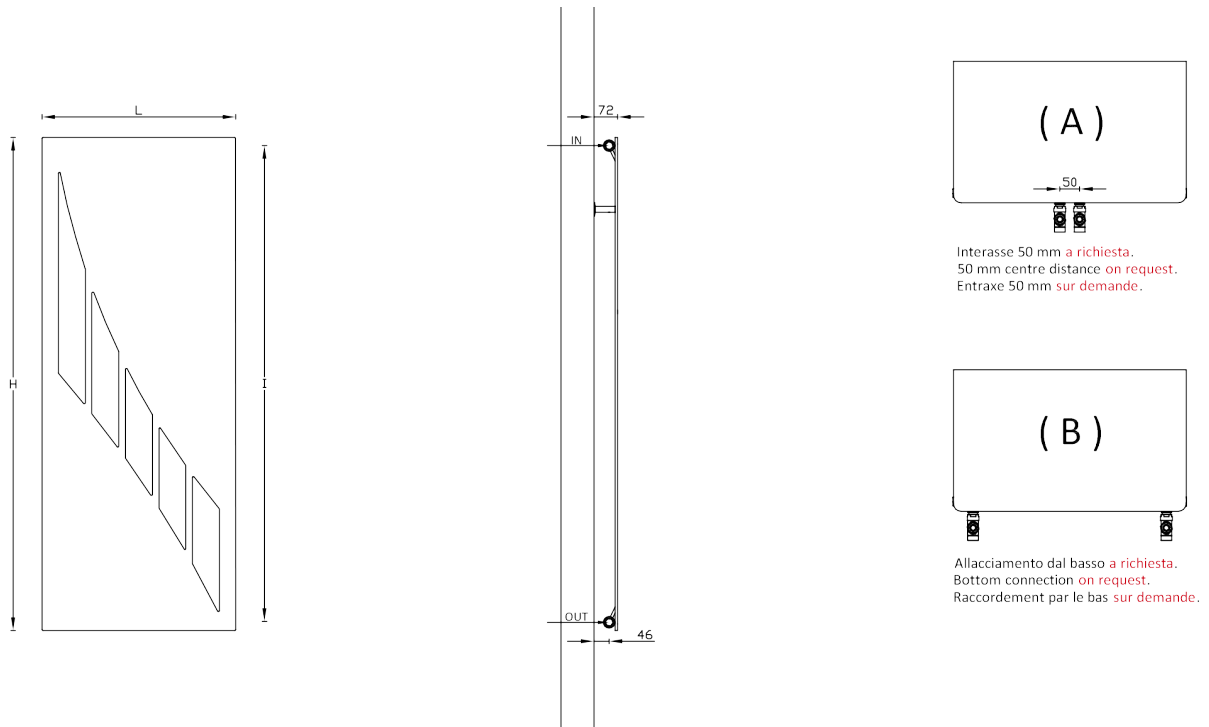


HOTECH DESIGN

SENEKA





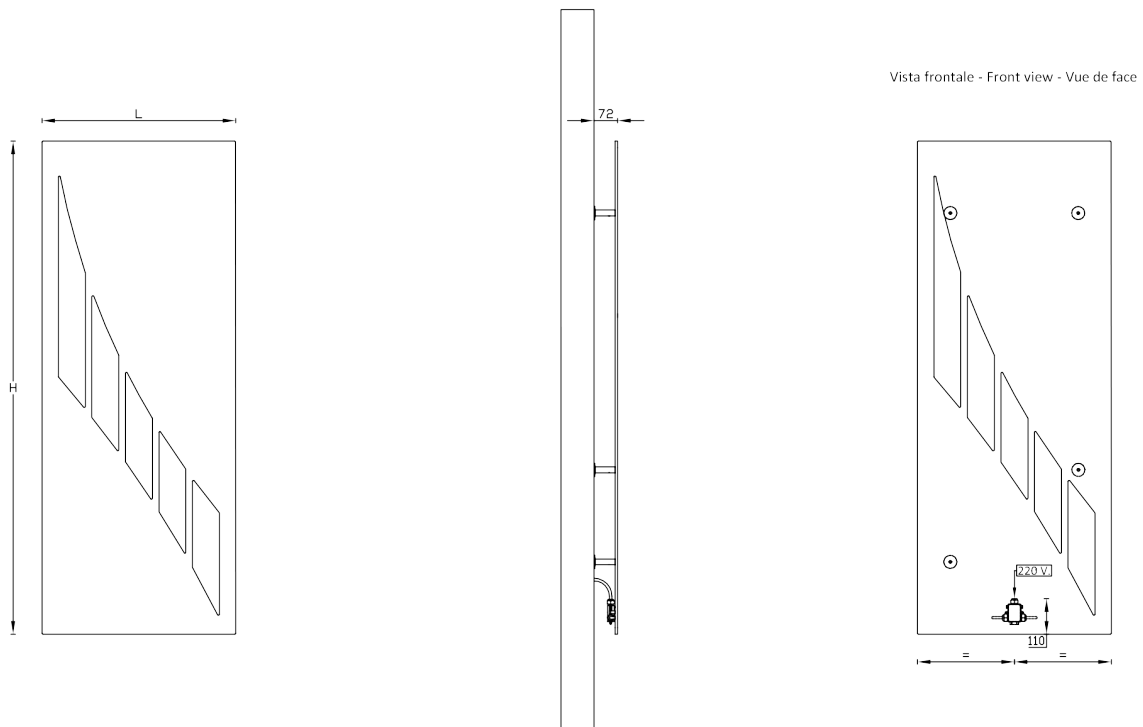


VERSIONE IDRAULICA - HYDRAULIC VERSION - VERSION HYDRAULIQUE

Prezzi espressi in Euro iva esclusa - Pricing in Euro excluding vat - Prix en Euro hors de TVA

Altezza Heigt Heateur	Larghezza Width Largeur	Interasse Distance Entraxe	Potenza Watt Power Watt Puissance Watt
H mm.	L mm.	I mm.	$\Delta T 50^\circ$
1500	600	1450	690
1800	600	1750	850

Supplemento collettori in acciaio INOX AISI 316 + 10% - Supplement collectors INOX steel AISI 316 +10% - Supplément collector en acier inox AISI 316 + 10%



VERSIONE ELETTRICA - ELECTRIC VERSION - VERSION ELECTRIQUE

Prezzi espressi in Euro iva esclusa - Pricing in Euro excluding vat - Prix en Euro hors de TVA

Altezza Heigt Heateur	Larghezza Width Largeur	Potenza Watt Power Watt Puissance Watt
H mm.	L mm.	
1500	600	690
1800	600	850